



## ■ Features

- KNX proof gateway
- Easy configuration & installation
- Cost effective solution for smart building
- Connect up to 64 DALI ECGs/Drivers
- Built-in DALI power supply
- LCD 2x12 display
- Lighting control via the button
- Lighting control via the integrated web server
- Up to 16 DALI lighting groups setting
- Up to 16 DALI scenes setting
- 3 year warranty

## ■ Description

KDA-64 is used to connect a digital DALI lighting system to the KNX installation. Thus, room-based lighting control is conveniently incorporated into the higher-level KNX building management system.

The device transforms switch and dim commands from the connected KNX system into DALI telegrams and status information from the DALI bus into KNX telegrams.

KDA-64 is a Category 1 device (in accordance with EN 62386-103). This means the device must only be used in DALI segments with connected ECGs and not with other DALI control devices within the segment (No multi-master function).

Power supply for the up to 64 connected ECGs comes directly from the KDA-64. An additional DALI power supply is not required and not permitted.

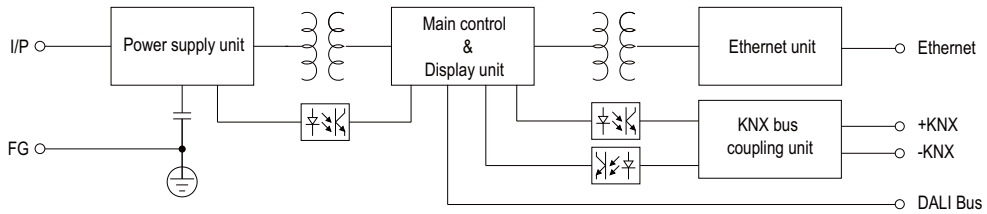
The device comes in a 4 units wide DIN Rail casing so it can be directly integrated into the mains distribution box. Connection to the KNX bus is via a bus connector. DALI Bus is connected via screw connectors on the device.

ECGs can be switched, dimmed and set to a defined value in 16 groups per gateway. In addition to group control, KDA-64 offers the possibility to individually control up to 64 ECGs.

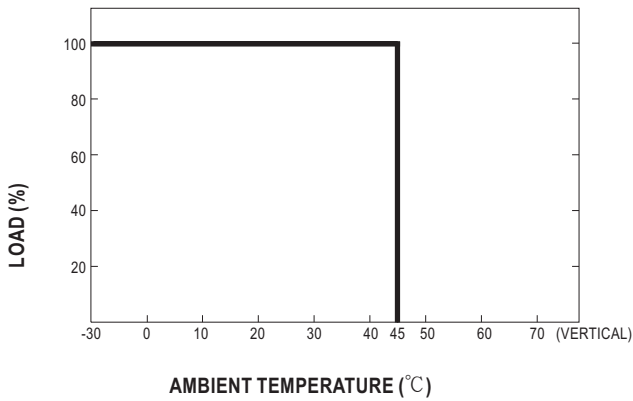
**SPECIFICATION**

| MODEL                |  | KDA-64  |
|----------------------|--|---|
| COMMUNICATION SIGNAL | KNX BUS  | Standard KNX connector  |
|                      | DALI BUS VOLTAGE   | Built-in DALI Voltage 16-20VDC ; Screw terminal for solid or stranded copper conductors 1-2.5m <sup>2</sup> |
|                      | DALI BUS RATED CURRENT   | 250mA   |
|                      | ETHERNET   | 100MB/s via RJ45 connector  |
| INPUT                | VOLTAGE RANGE  | 100~240VAC, 142~339VDC  |
|                      | FREQUENCY RANGE  | 50~60Hz   |
|                      | AC CURRENT   | 0.1A  |
|                      | POWER CONSUMPTION  | 7W(Typ.)  |
|                      | TERMINAL   | Screw terminal for solid or stranded copper conductors 1-2.5m <sup>2</sup>                                  |
| PROTECTION           | OVERLOAD   | 100% at DALI rated current  |
|                      |  | Protection type: Constant current limiting  |
| FUNCTION             | DISPLAY  | LCD-Display of 2 lines with 12 characters each for commission the device and parameter settings             |
|                      | KNX PROGRAMMING  | One physical button to toggle between normal and programming/addressing mode                                |
|                      | GENERIC SETTING  | Three buttons(Move, Prg/Set, ESC) on the front panel to set and view the settings                           |
| ENVIRONMENT          | WORKING TEMP.  | -5 ~ +45°C  |
|                      | WORKING HUMIDITY   | 5 ~ 93% RH non-condensing; comply with climatic EN50090-2-2   |
|                      | STORAGE TEMP., HUMIDITY  | -25 ~ +70°C, 10 ~ 95% RH non-condensing   |
|                      | VIBRATION  | 5 ~ 150Hz, each along X, Y, Z axes according to EN50090-2-2   |
|                      | OVER VOLTAGE CATEGORY  | III   |
|                      | POLLUTION DEGREE   | 2, EN60664-1  |
|                      | PROTECTION TYPE  | IP20, EN60529   |
| SAFETY & EMC         | SAFETY STANDARDS   | Compliance to EN60669-2-1, EN50428, EN50090-2-2   |
|                      | DALI STANDARDS   | Comply with IEC60926, EN62386-103 DALI controller   |
|                      | EMC EMISSION   | Compliance to EN50491-5-1, EN60669-2-1, EN50428, EN50090-2-2, EN61000-3-3                                   |
|                      | EMC IMMUNITY   | Compliance to EN61000-4-2,3,4,5,6,11  |
| OTHERS               | DIMENSION  | 86*72*55mm (L*W*H)-Weight 0.2Kg   |
|                      | DIN RAIL MOUNTING  | 35 mm rail ; 4 units wide   |
|                      | ENCLOSURE MATERIAL   | ABS-V0  |
| NOTE                 | 1. All parameters NOT specially mentioned are measured at 230VAC input and 25°C of ambient temperature.<br>2. Maximum allowable DALI driver is 64.<br>3. The devices may be operated only up to 2000m(6500ft). |   |

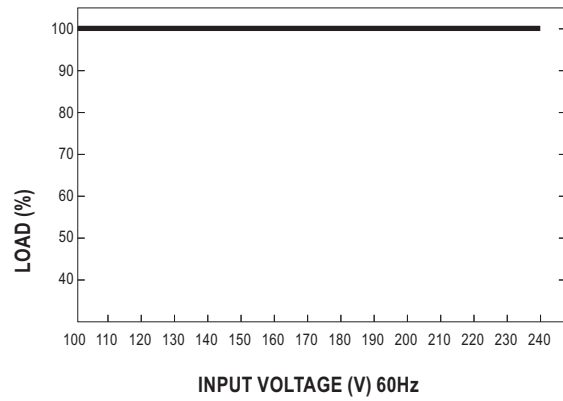
## Block Diagram



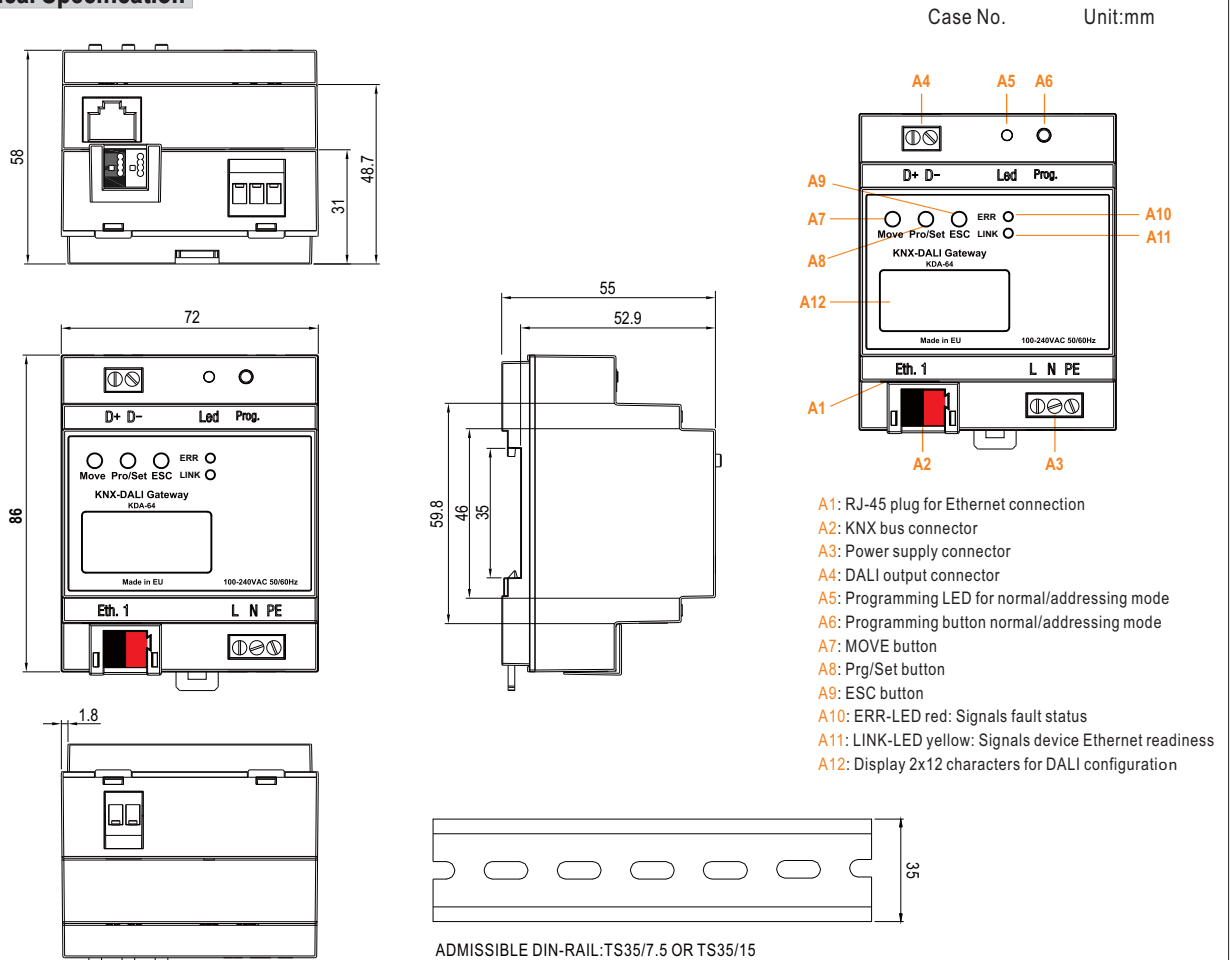
## Derating Curve



## Static Characteristics



## Mechanical Specification

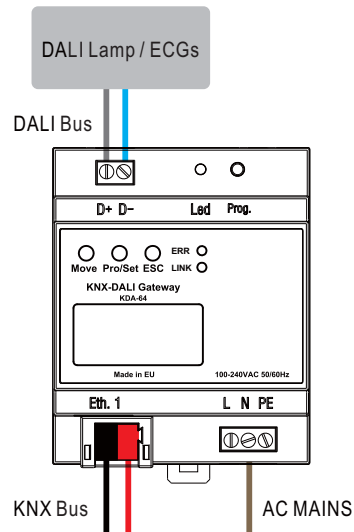


## ■ Configuration and Commissioning

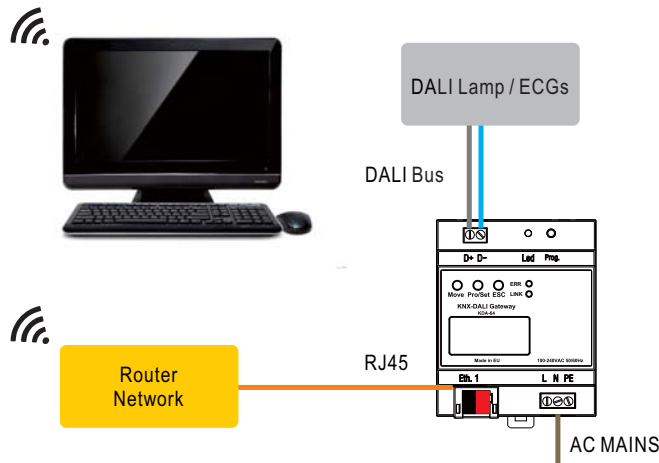
The application program (data base) for ETS can be downloaded via <http://www.meanwell.com/productCatalog.aspx>

## ■ Typical application

### ◎ Application 1: KNX DALI lighting control



### ◎ Application 2: Wire or wireless ethernet (Web browser) lighting control



## ■ Recommended Screwdriver, Wire and Torque Setting

1. Screwdriver (Width\*Thick): Slotted screwdriver 2.5\*0.4~3.5\*0.6
2. Wire: 1~2.5mm<sup>2</sup> solid core or 1~2.5mm<sup>2</sup> finely stranded
3. Torque: 0.8Nm

## ■ Installation Manual

Please refer to : <http://www.meanwell.com/manual.html>